

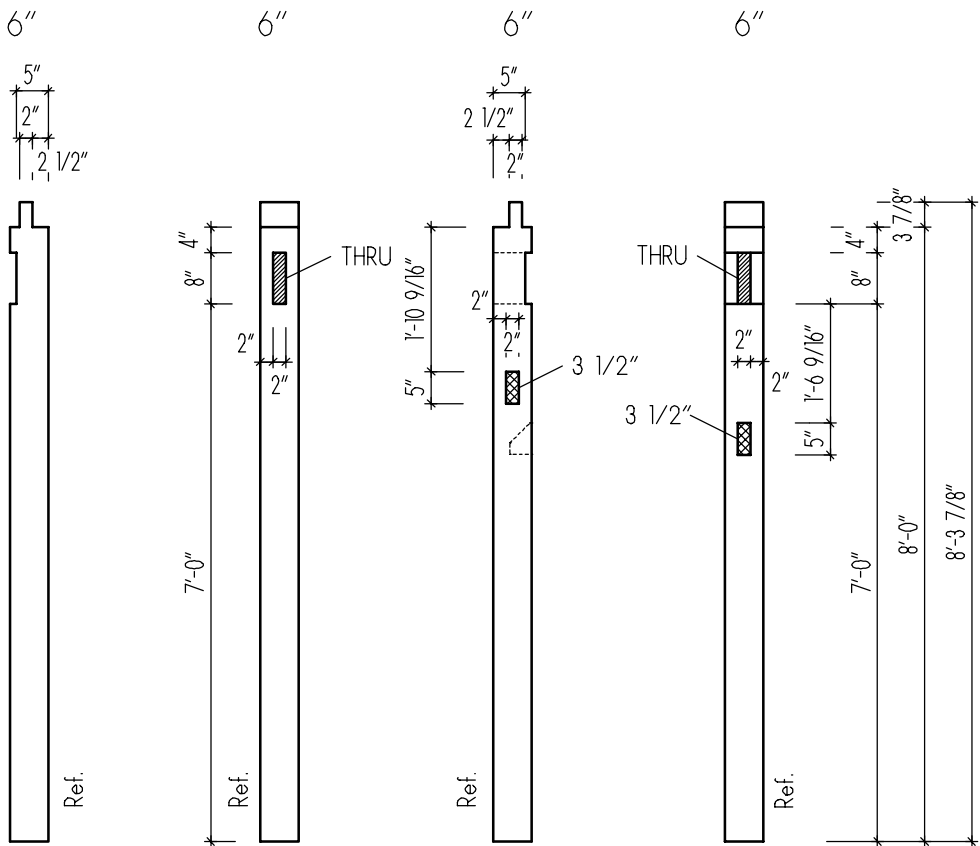
OutHouse

Layout Check Cut Check out	Page	Item	#	Size	Length	Similar	Dirty	Wood	Note
	1	P1	1	6x6	8-4	P4		EWP	
	2	P2	1	6x6	8-4	P3		EWP	
	2	P3	1	6x6	8-4	P2		EWP	
	1	P4	1	6x6	8-4	P1		EWP	
	3	KP1	1	6x6	4-0	KP2		EWP	
	3	KP2	1	6x6	4-0	KP1		EWP	
	4	CT1-2	1	6x8	7-3	CT3-4	1	EWP	
	4	CT3-4	1	6x8	7-3	CT1-2	1	EWP	
	5	R1	2	6x6	7-1	R4	1	EWP	
	6	R2	2	6x6	7-1	R3	1	EWP	
	6	R3	1	6x6	7-1	R2	1	EWP	
	5	R4	1	6x6	7-1	R1	1	EWP	
	7	PL3-1	1	6x8	12-0	PL4-2	1	EWP	
	7	PL4-2	1	6x8	12-0	PL3-1	1	EWP	
	8	RP	1	6x8	12-0		1	EWP	
	9	Brace1	4	4x4	3-3			EWP	
	10	Brace2	4	4x4	3-8	KBrace		EWP	
	10	KBrace	2	4x4	3-8	Brace2		EWP	
	10		27						

Layout: Check:
 ReCheck: Cut:
 ReCheck:
 Rev. (D/M/Y): 20.8.2005 14:13

Michal Zajic
 TFDesign

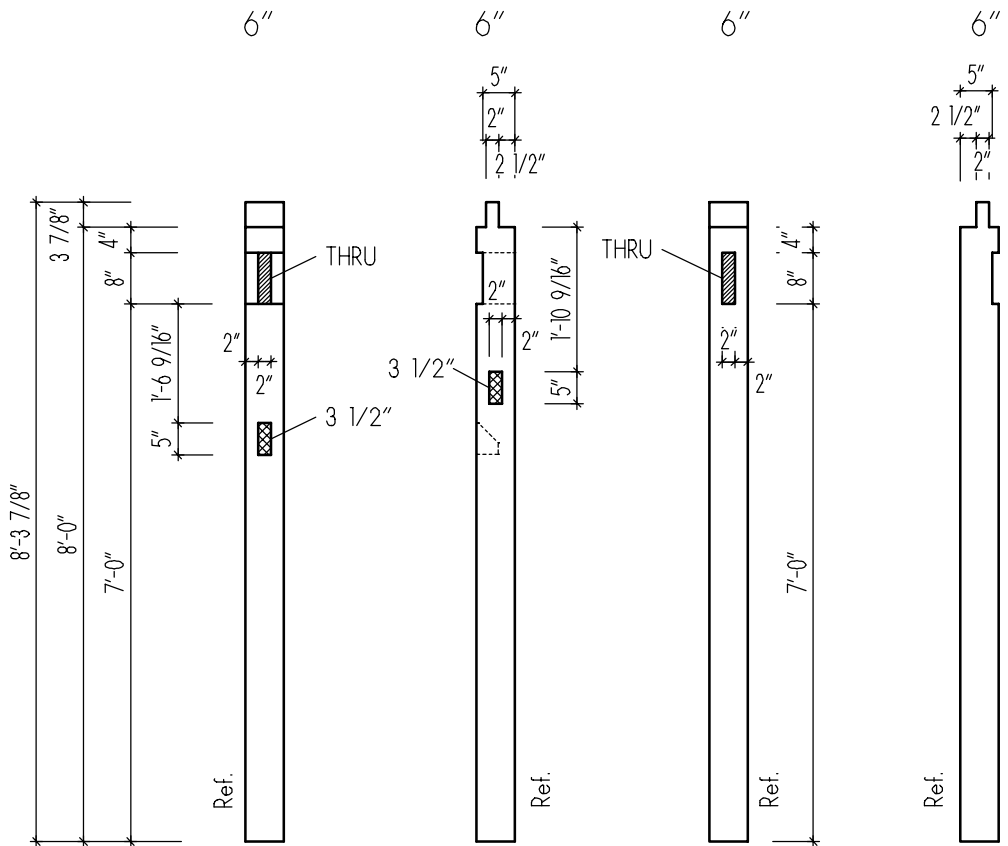
TFDesign	Page: 7
Project: <i>OutHouse</i>	Desc.: <i>P1, P4</i>
Quantity: <i>.1+1</i>	Size: <i>6x6</i> Cut from: <i>.10 EWP</i>



Layout: Check:
 ReCheck: Cut:
 ReCheck: Rev. [D/M/Y]: 20.8.2005 14:13

Michal Zajic
 TFDesign

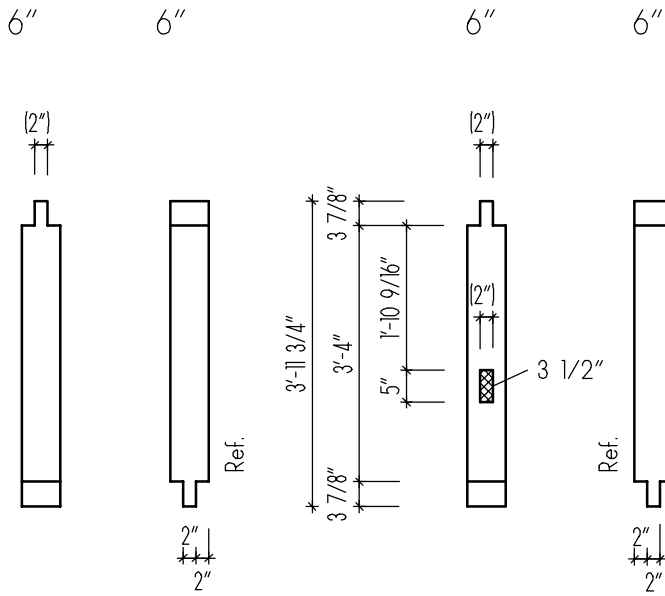
TFDesign	Page: 2
Project: <i>OutHouse</i>	Desc.: <i>P2, P3</i>
Quantity: <i>.1+1</i>	Size: <i>6x6</i> Cut from: <i>.10 EWP</i>



Layout: Check:
 ReCheck: Cut:
 ReCheck: Rev. [D/M/Y]: 20.8.2005 14:13

Michal Zajic
 TFDdesign

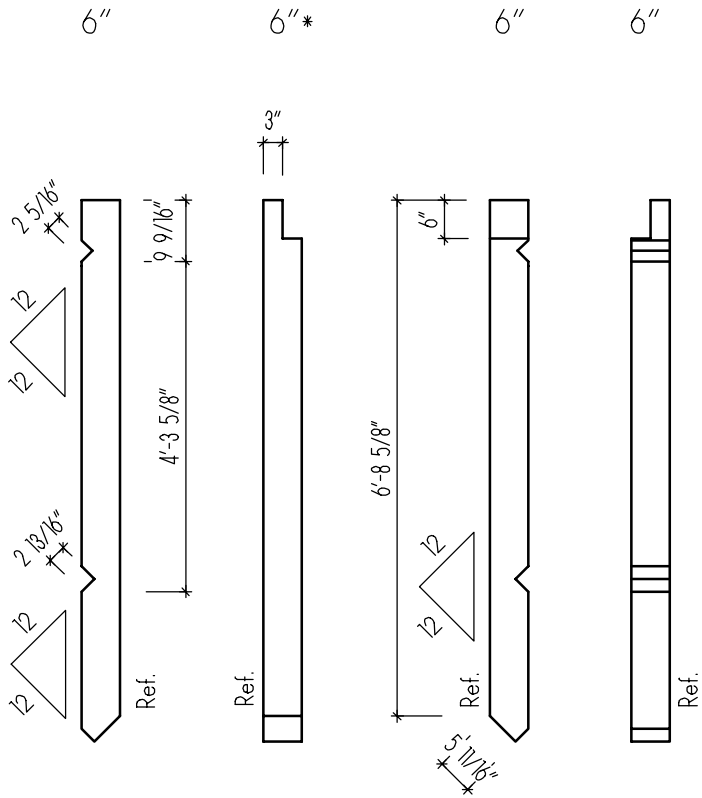
TFDesign	Page: 3
Project: <i>OutHouse</i>	Desc.: <i>KP1, KP2</i>
Quantity: <i>.1+1</i>	Size: <i>6x6</i> Cut from: <i>4 EWP</i>



Layout: Check:
 ReCheck: Cut:
 ReCheck:
 Rev. [D/M/Y]: 20.8.2005 14:13

Michal Zajic
 TFDesign

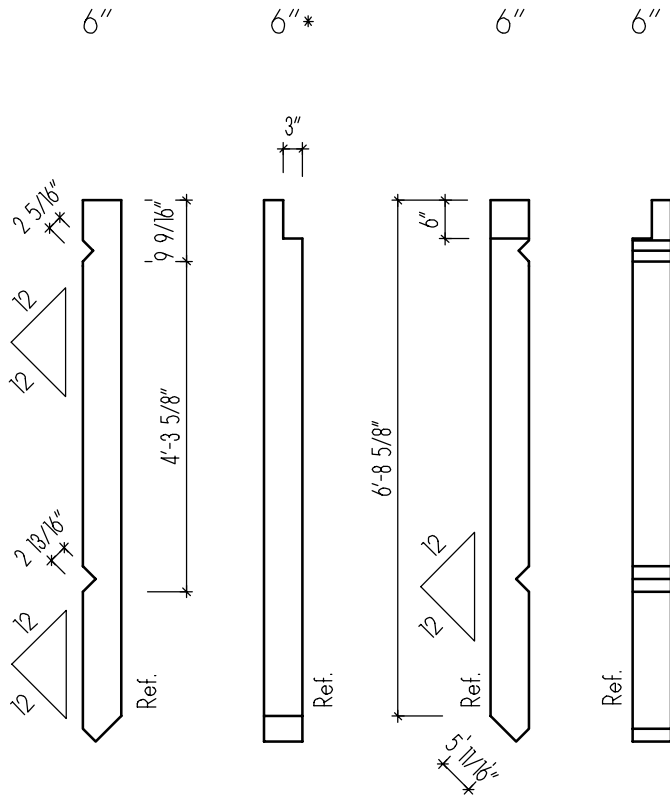
TFDesign	Page: 5
Project: <i>OutHouse</i>	Desc.: <i>R1, R4</i>
Quantity: <i>2+1</i>	Size: <i>6x6</i> Cut from: <i>8</i> <i>EWP</i>



Layout: Check:
 ReCheck: Cut:
 ReCheck: Rev. [D/M/Y]: 20.8.2005 14:13

Michal Zajic
 TFDdesign

TFDesign	Page: 6
Project: <i>OutHouse</i>	Desc.: <i>R2, R3</i>
Quantity: <i>2+1</i>	Size: <i>6x6</i> Cut from: <i>8 EWP</i>



Layout: Check:
 ReCheck: Cut:
 ReCheck:
 Rev. [D/M/Y]: 20.8.2005 14:13

Michal Zajic
 TFDdesign

TFDesign	Page: 7
Project: <i>OutHouse</i>	Desc.: <i>PL3-1, PL4-2</i>
Quantity: <i>.1+1</i>	Size: <i>6x8</i> Cut from: <i>.12 EWP</i>

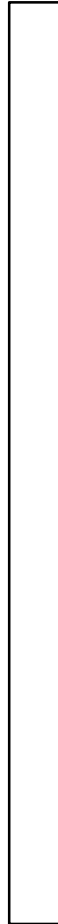
8"



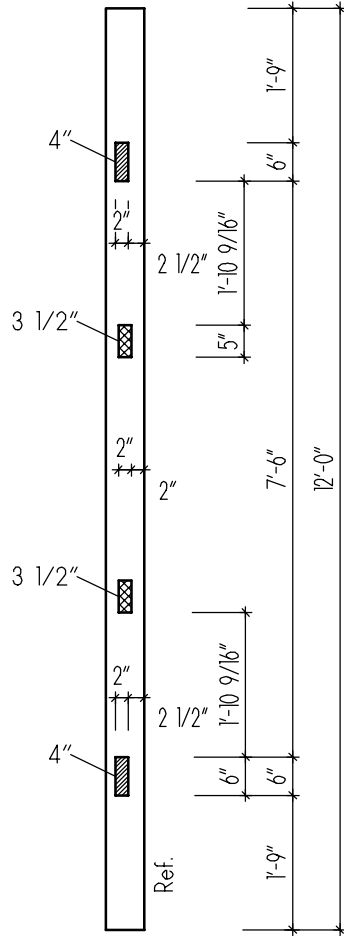
6"*



8"



6"

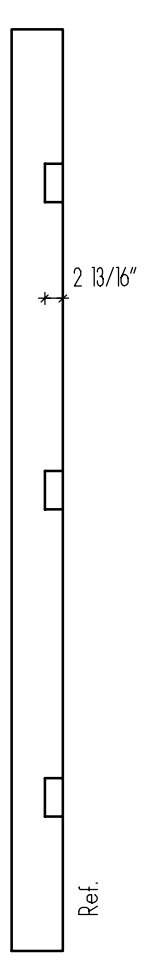


Layout: Check:
 ReCheck: Cut:
 ReCheck: Rev. [D/M/Y]: 20.8.2005 14:13

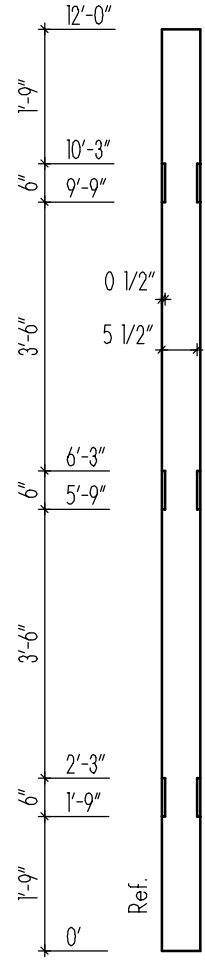
Michal Zajic
 TFDDesign

TFDesign	Page: 8
Project: <i>OutHouse</i>	Desc.: <i>RP</i>
Quantity: .1	Size: <i>6x8</i> Cut from: .12 <i>EWP</i>

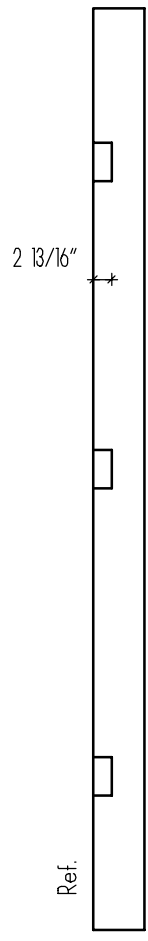
8"



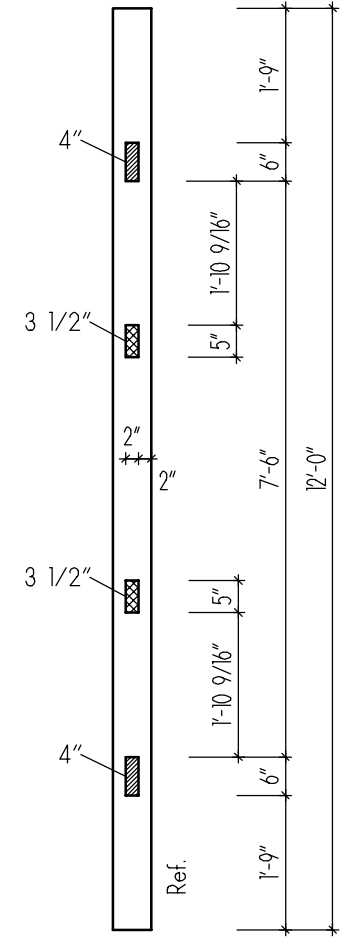
6"*



8"



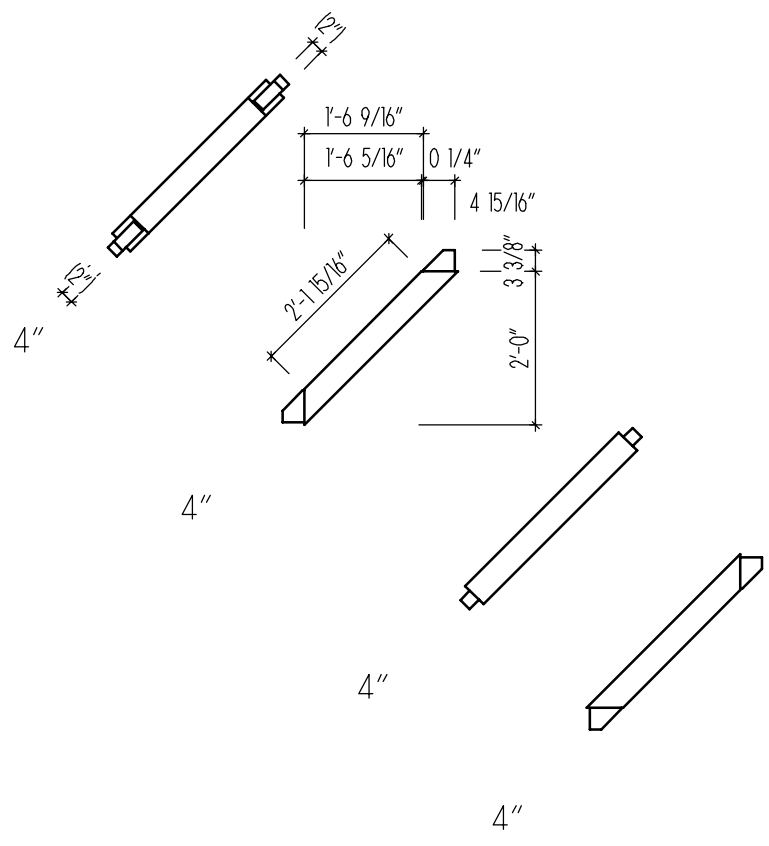
6"



Layout: Check:
ReCheck: Cut:
ReCheck:
Rev. [D/M/Y]: 20.8.2005 14:13

Michal Zajic
TFDesign

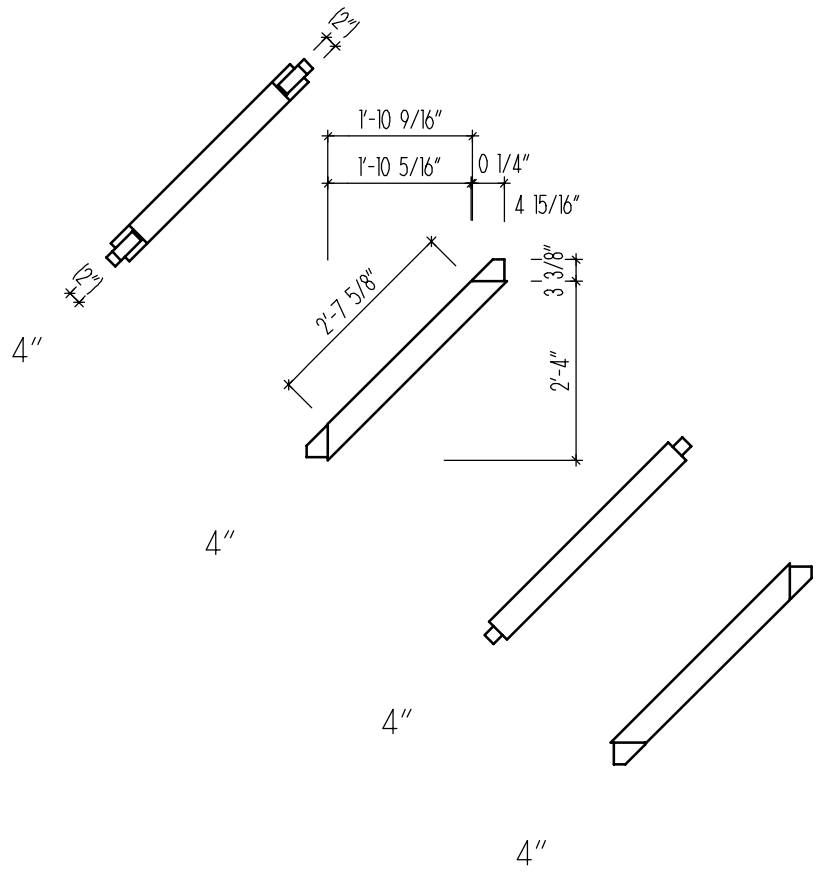
TFDesign	Page: 9
Project: <i>OutHouse</i>	Desc.: <i>Brace1</i>
Quantity: 4	Size: 4x4 Cut from: 4 EWP



Layout: Check:
 ReCheck: Cut:
 ReCheck:
 Rev. [D/M/Y]: 20.8.2005 14:13

Michal Zajic
 TFDdesign

TFDesign	Page: 10
Project: <i>OutHouse</i>	Desc.: <i>Brace2, KBrace</i>
Quantity: 4+2	Size: 4x4 Cut from: 4 EWP



TFDesign

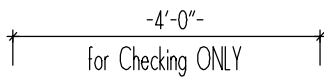
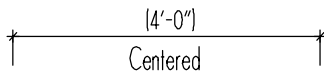
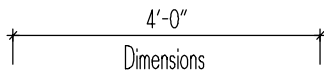
Project: *OutHouse*

Desc.: *Comments*

Rev. (D/M/Y): *20.8.2005*

14.13

Dimensions:



Hatches:



Mortise



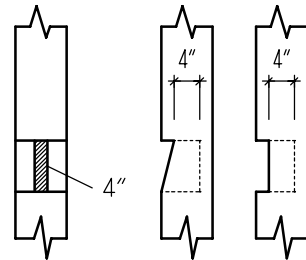
Mortise for brace



Slope

Mortises:

Depth is always given from final face
(deepest spot in house)



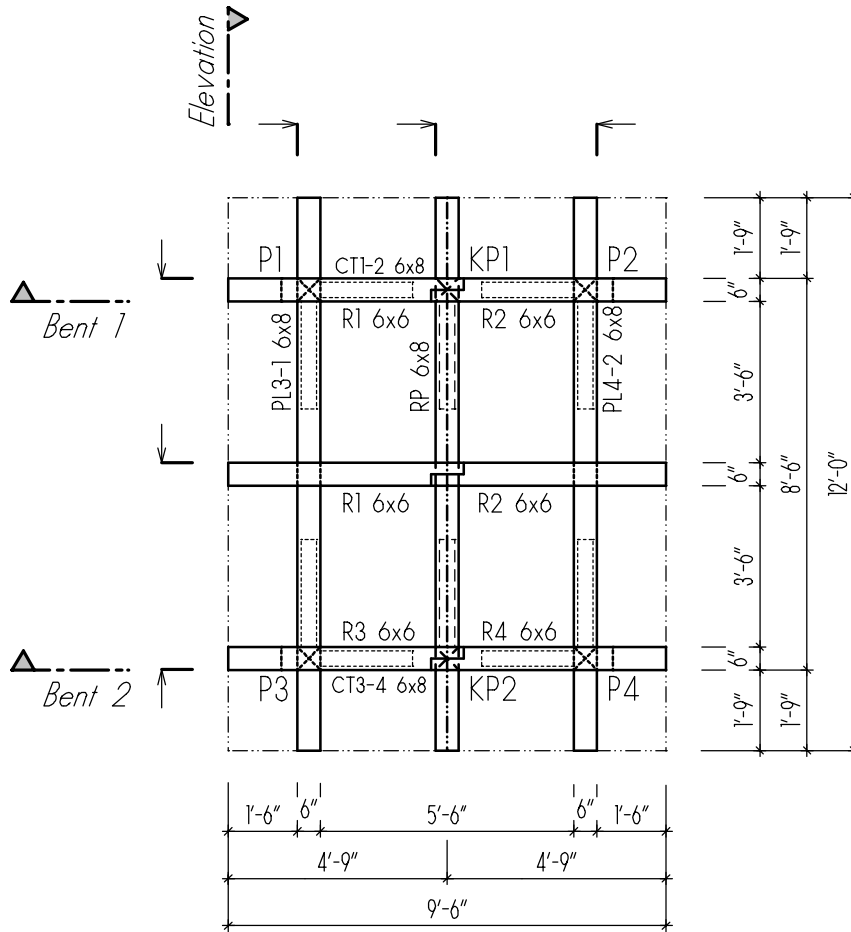
TFDesign

Project: *OutHouse*

Desc: *Roof Plan*

Rev. (D/M/Y): *20.8.2005*

14.13



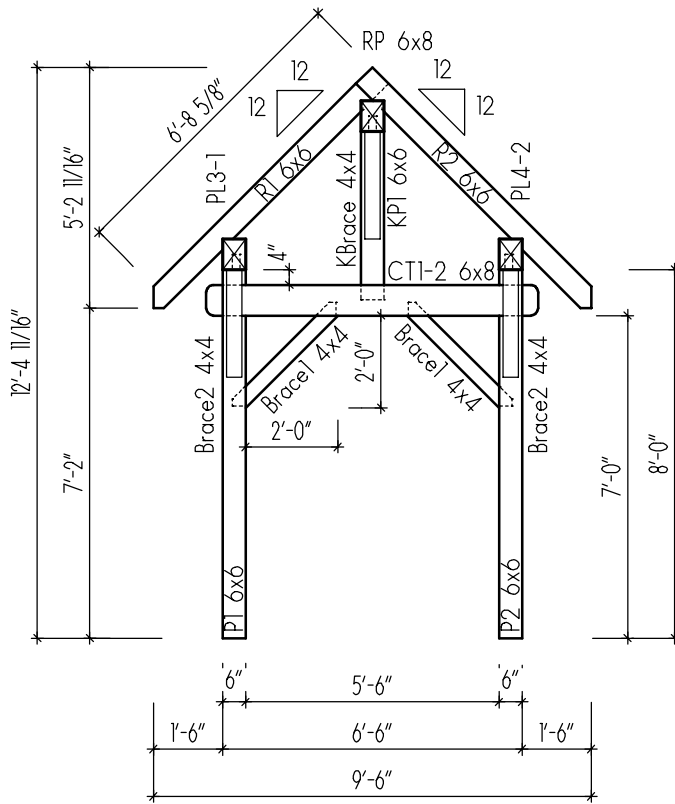
TFDesign

Project: *OutHouse*

Desc: *Bent 1*

Rev. (D/M/Y): *20.8.2005*

14.13



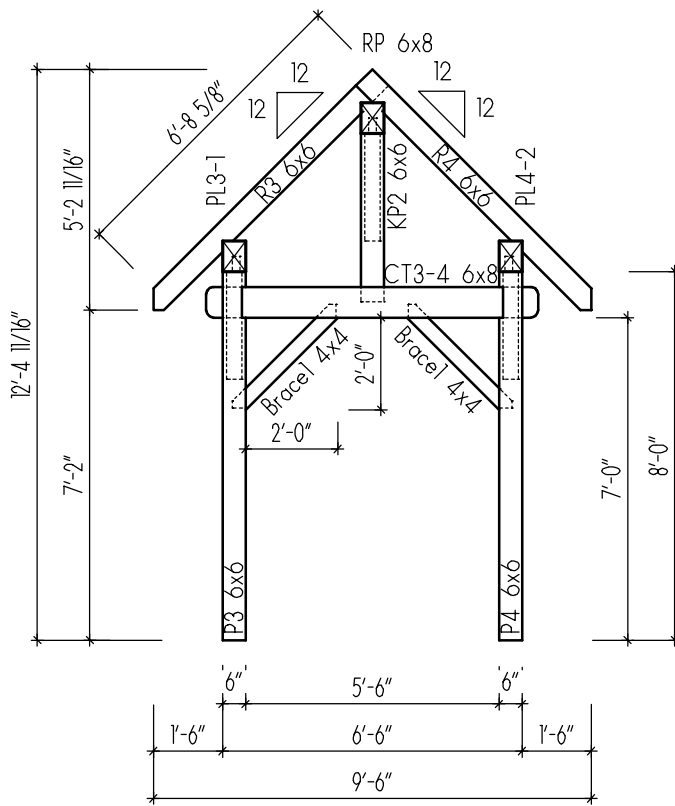
TFDesign

Project: *OutHouse*

Desc: *Bent 2*

Rev. (D/M/Y): *20.8.2005*

14.13



TFDesign

Project: *OutHouse*

Desc: *Elevation*

Rev. (D/M/Y): *20.8.2005*

14.13

